

Filter Type Singlemode Optical Splitter



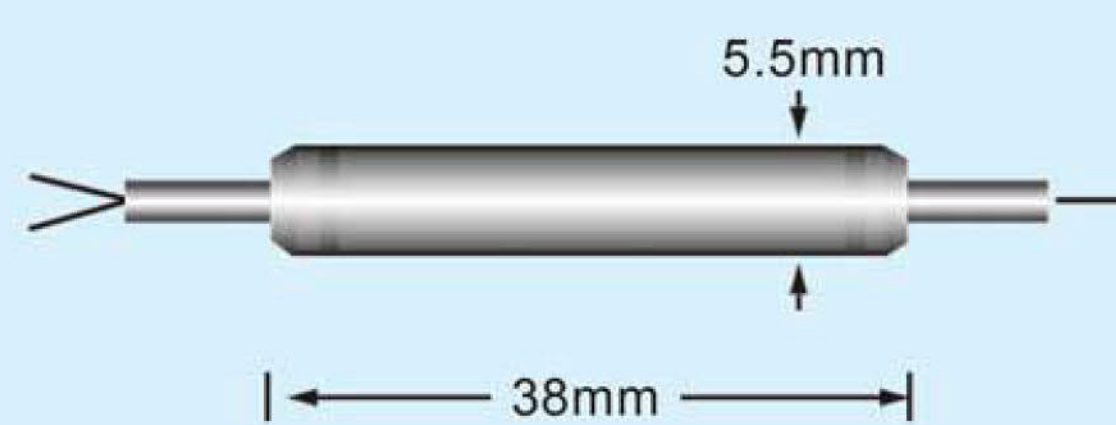
Features

- Low insertion loss
- Wide bandwidth
- Low PDL
- High stability and reliability

Applications

- Mobile fiber network
- MAN
- Bi-directional communication

Package Dimension



Performance Specifications

Parameter		Specification
Operating Wavelength (nm)		1310,1550,1310 / 1550±50
Insertion Loss (dB)	50/50	≤3.9/3.9
	10/90	≤11.3/1.1
	5/95	≤14.5/0.9
Polarization Dependent Loss (dB)		≤0.15
Return Loss (dB)		≥50
Directivity (dB)		≥50
Maximum Power Handling (mW)		500
Operating Temperature (°C)		-10~+70
Storage Temperature (°C)		-40~+85
Fiber Type		SMF-28e
Package Dimension (mm)	For 250µm, 900µm	Ø5.5×38
	For 2.0mm, 3.0mm	L90 × W20 × H10

Above specifications are for devices without connector.
Specifications may change without notice.

Ordering Information

Port	Wavelength	Coupling Ratio	Fiber Type	Package	Fiber Diameter	Fiber Length	Connector
102=1x2 202=2x2	0= 1310nm 1=1550nm 2=1310/1550nm S=Specify	0=50/50 1=10/90 2=5/95 S=Specify	0=SM 9/125	1=Ø5.5x38mm 2=90x20x10mm 3=LGX Box 4=Rackmount S=Specify	0=250µm 1=900µm 2=2.0mm 3=3.0mm	0=0.5m 1=1m 2=1.5m S=Specify	0=None 1=FC/APC 2=FC/UPC 3=SC/APC 4=SC/UPC 5=LC/APC 6=LC/UPC 7=ST S=Specify